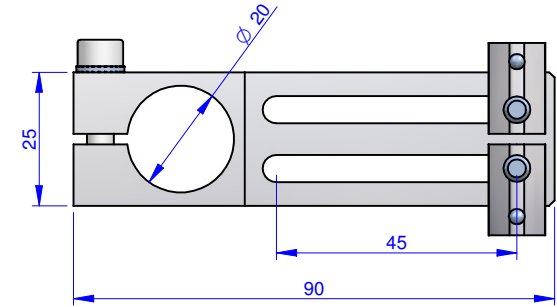
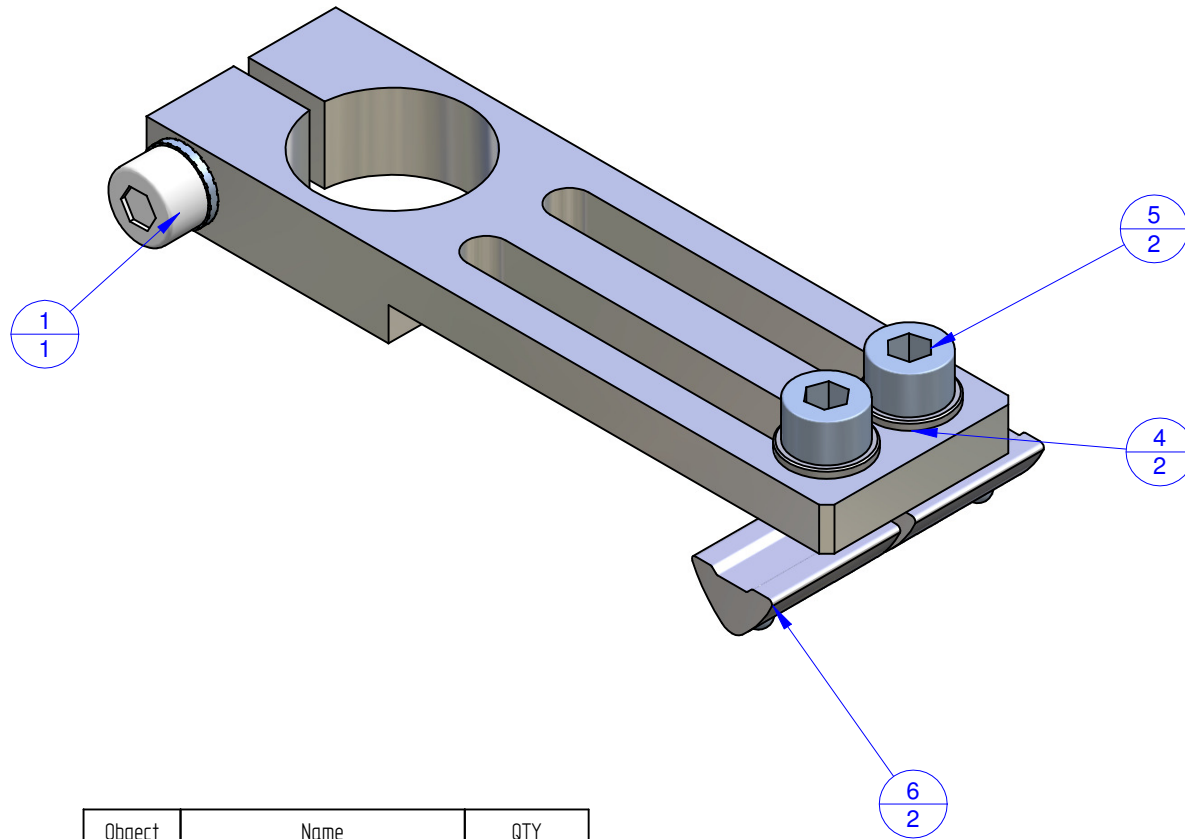


THE PROPERTY OF THIS DRAWING IS ESTABLISHED BY LAW
IT IS FORBIDDEN TO REPRODUCE IT OR SHOW IT TO THIRD PARTY
WITHOUT A WRITTEN AGREEMENT.



Object Number	Name	QTY
1*	CA.04.02.20	1
4	R.5	2
5	V.TCEI M5X14	2
6	CA.02.05.005	2

FP Services		DESIGNED FROM FPSERVICES	
		SCALE 1:1	DATE 11/2013
GENERAL TOLERANCE: UNI - ISO 2768 CLASSE f	MATERIALE	MODIFICATION	WEIGHT 0,051 kg
DESCRIPTION		CODE CA.04.02.20.6	

MODIFICATIONS: VARIED DIMENSIONS AS OF DATE:

7
8
9
10
11
12

MODIFICATIONS: VARIED DIMENSIONS AS OF DATE:

1
2
3
4
5
6

Format A3

UNI 936-76